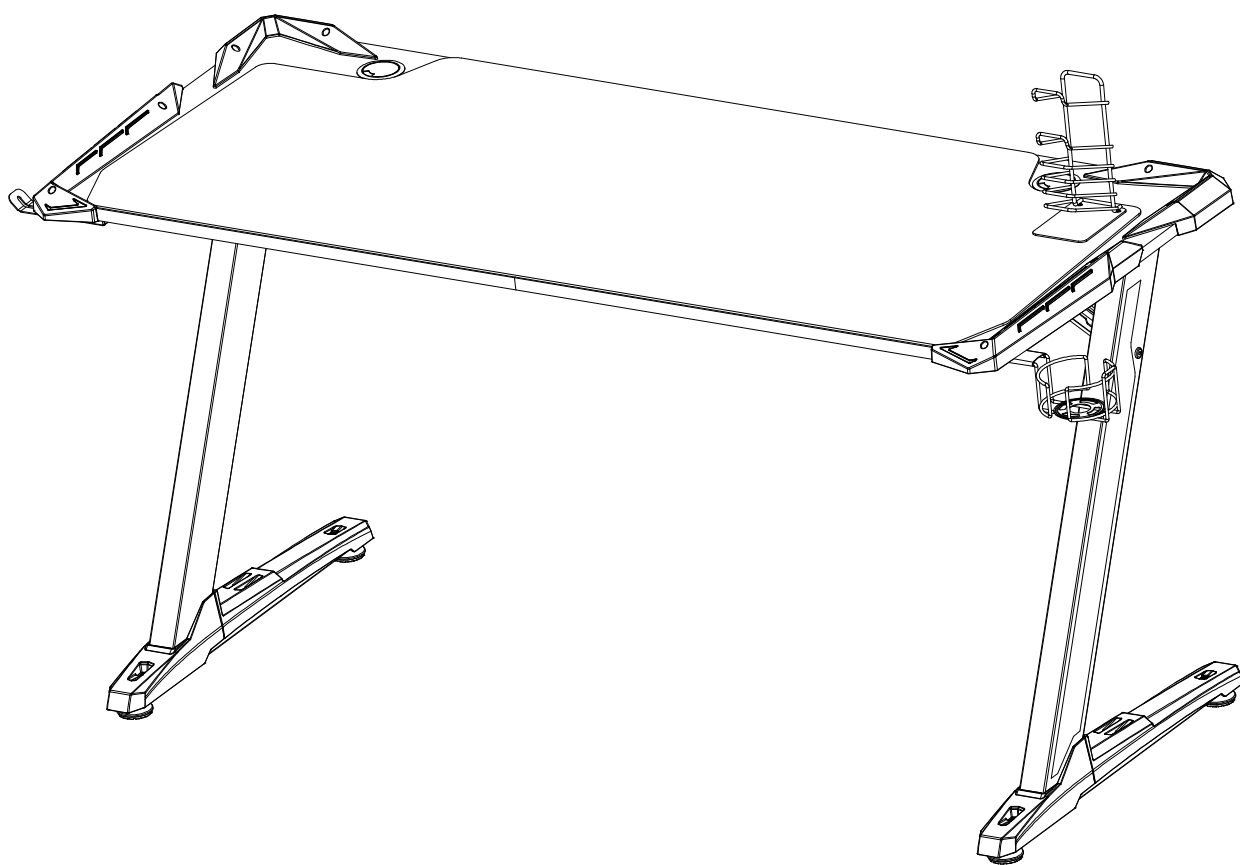


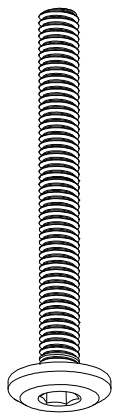
ULTRADESK[®]

SPACE

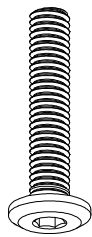
XXL



**ASSEMBLY INSTRUCTIONS
ANLEITUNG
INSTRUKCJA**



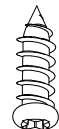
① x 6



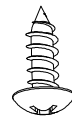
② x 8



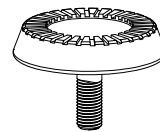
③ x 18



④ x 8



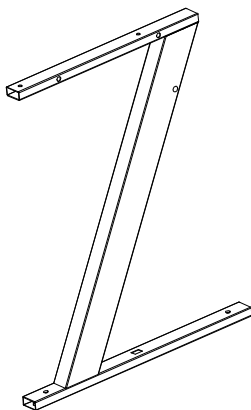
⑤ x 10



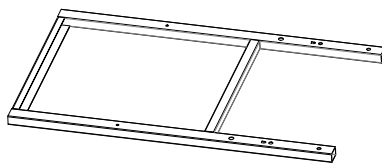
⑥ x 4



⑦ x 4



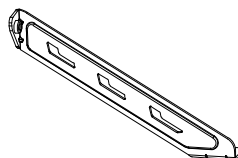
P1X2



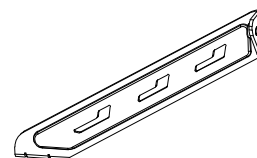
P2X2



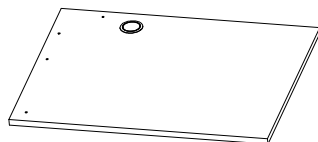
P3X2



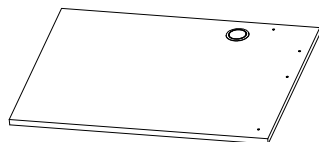
P4X1



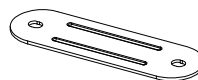
P5X1



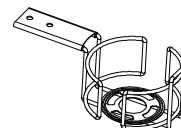
P6X1



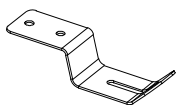
P7X1



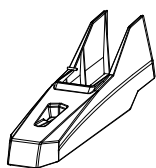
P8X2



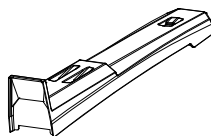
P9X1



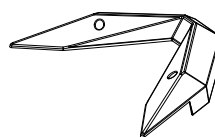
P10X1



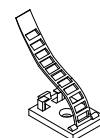
P11X2



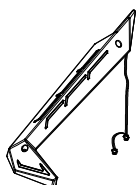
P12X2



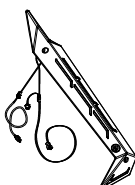
P13X2



P14X4



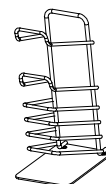
P15X1



P16X1



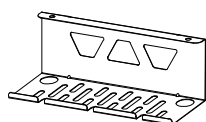
P17X1



P18X1



P19X4



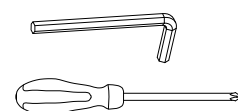
P20X1



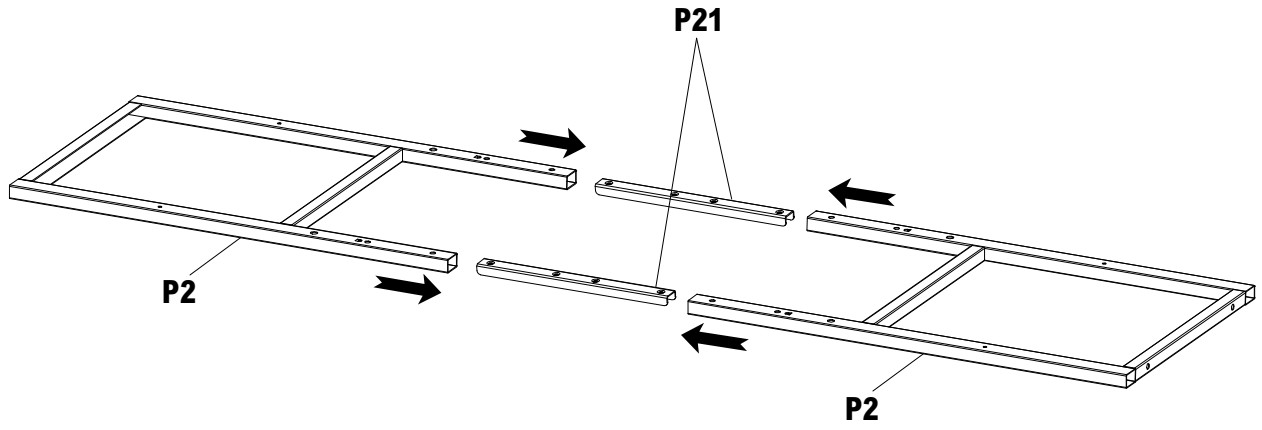
P21X2



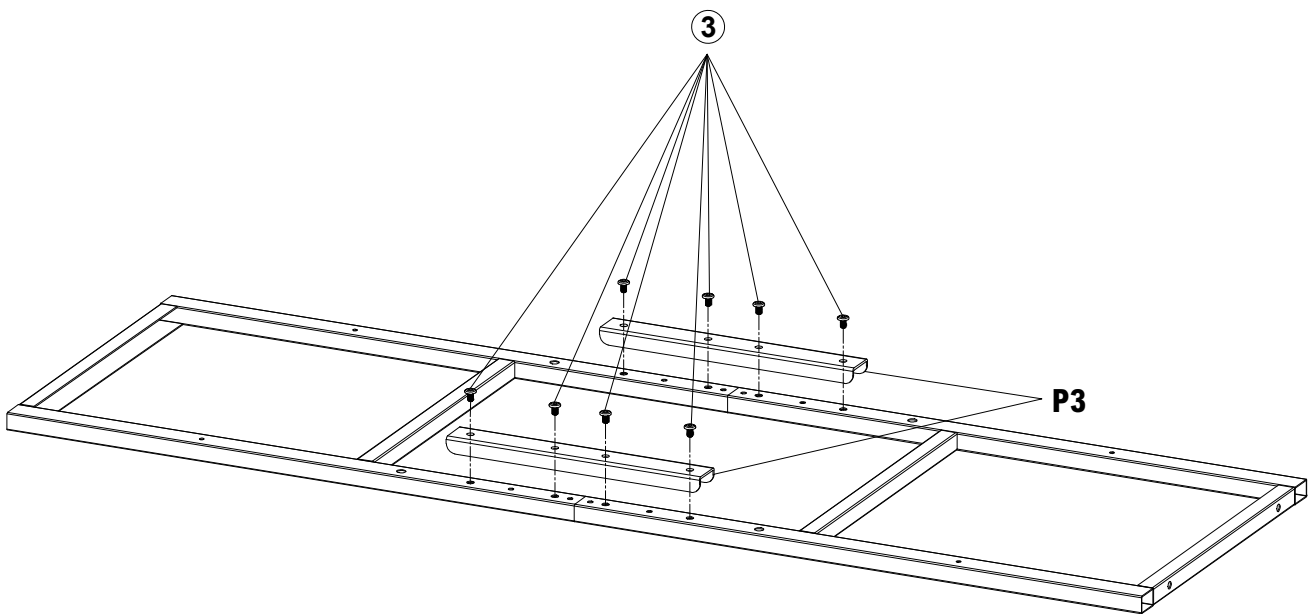
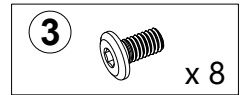
P22X2



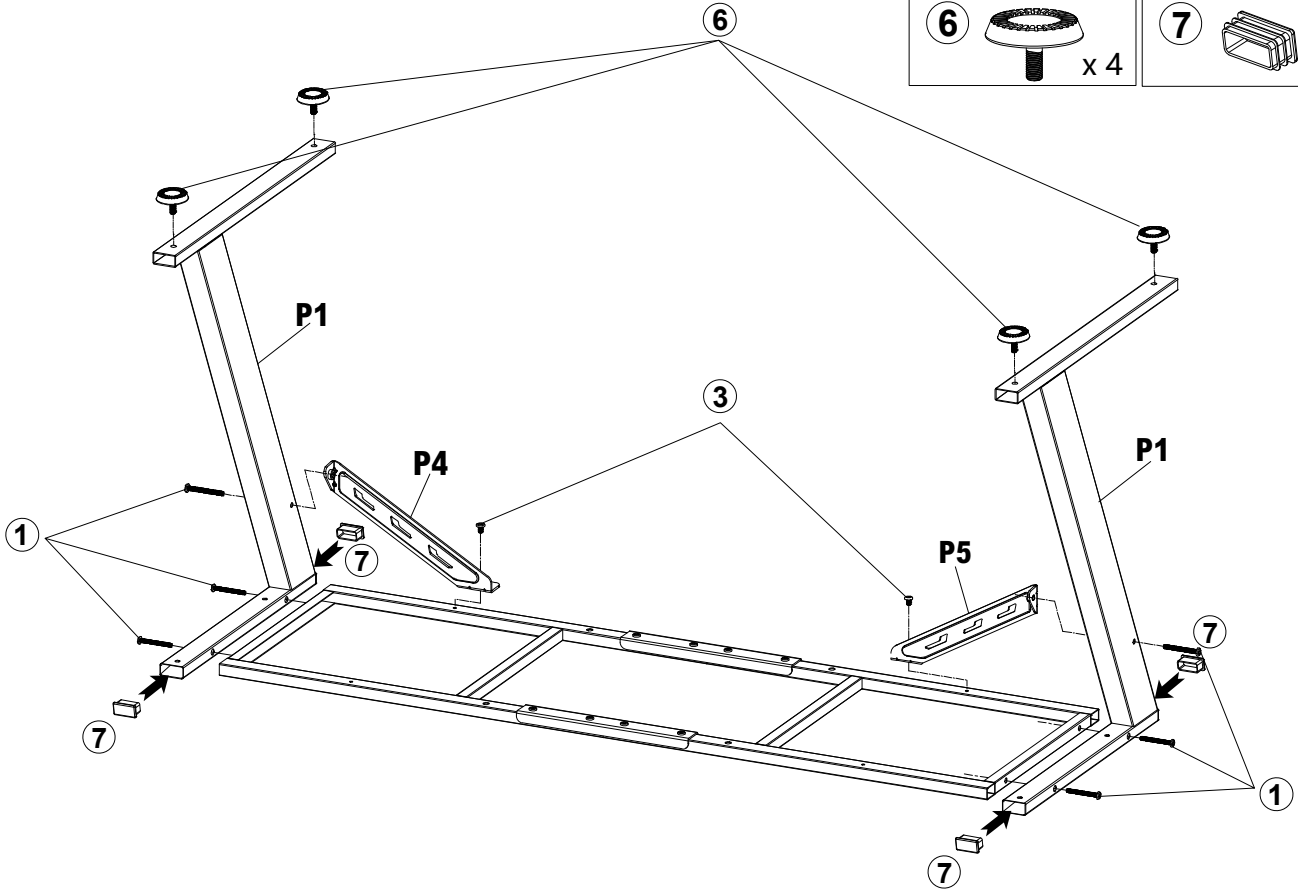
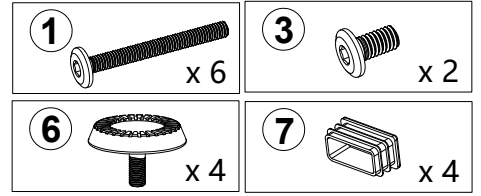
1.



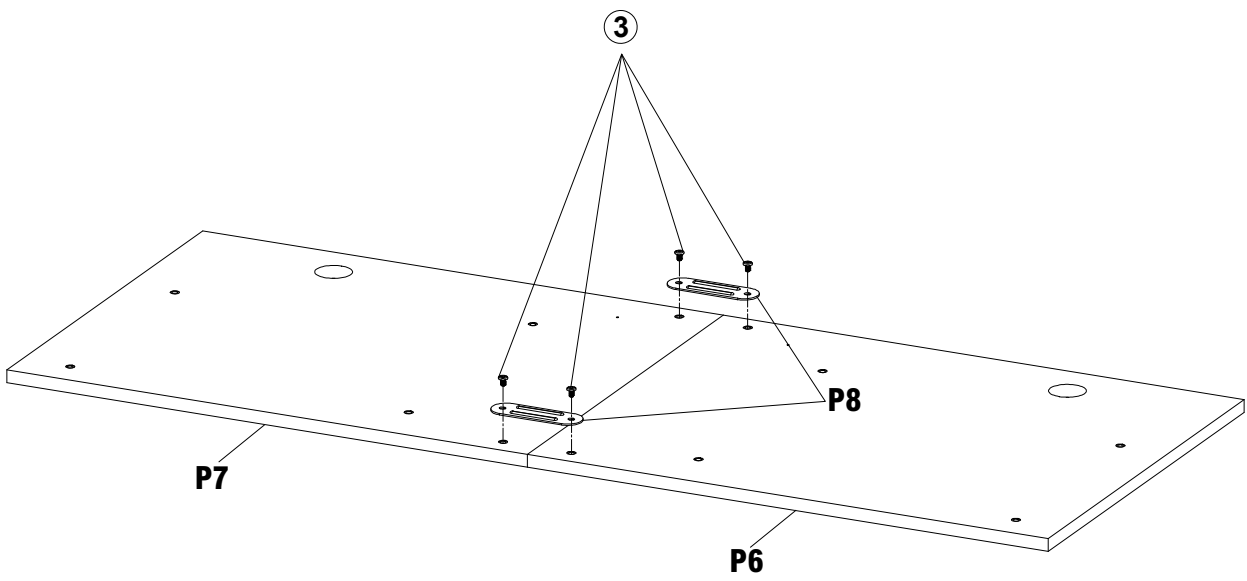
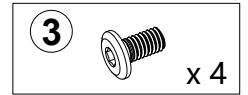
2.



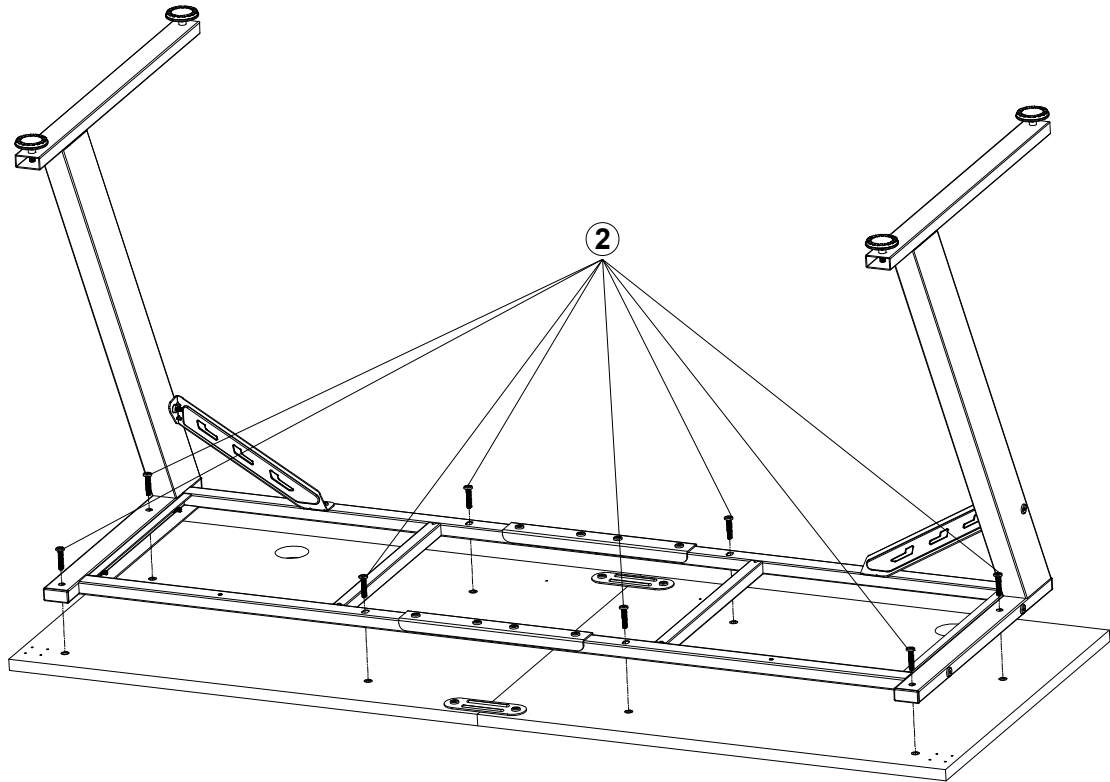
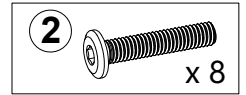
3.



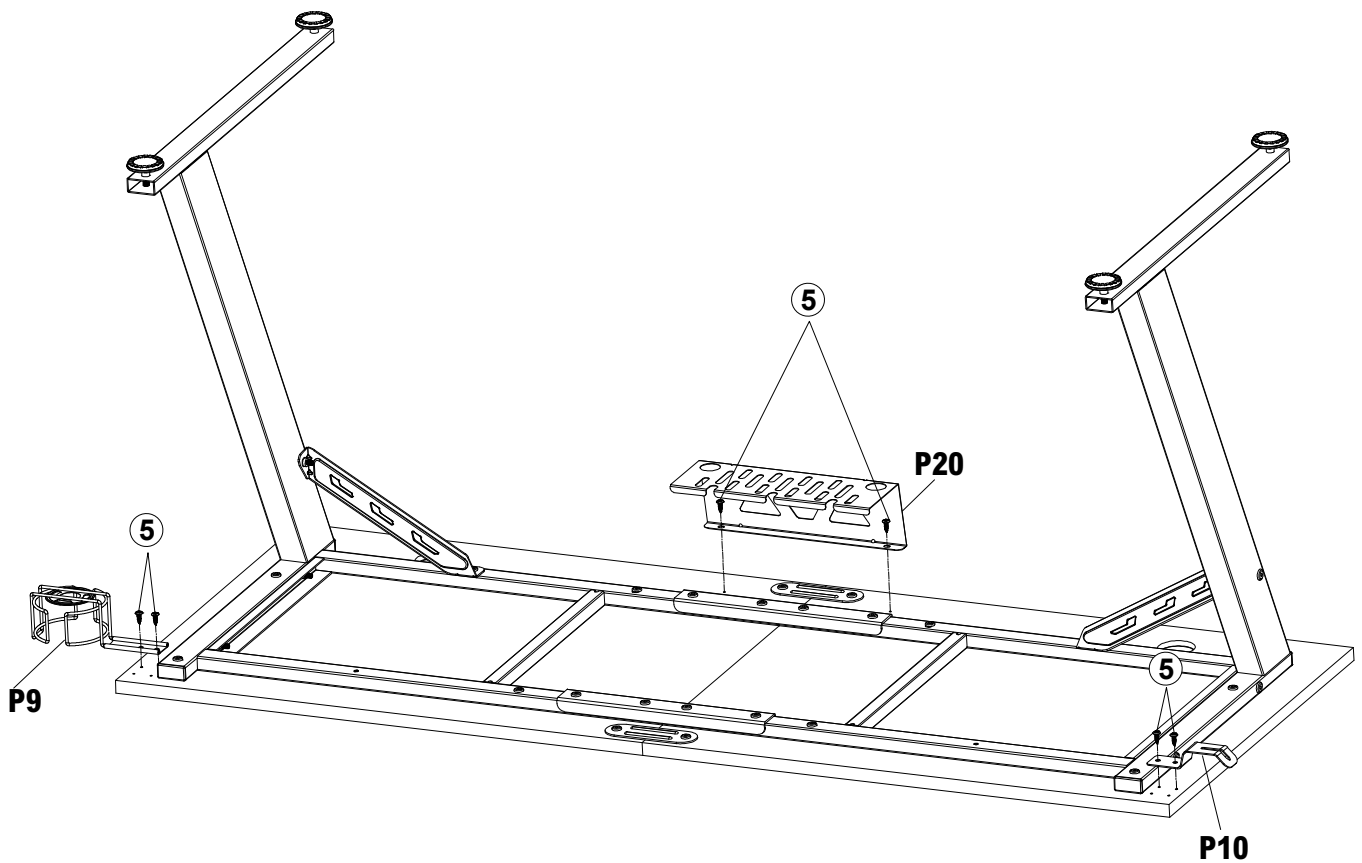
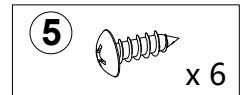
4.



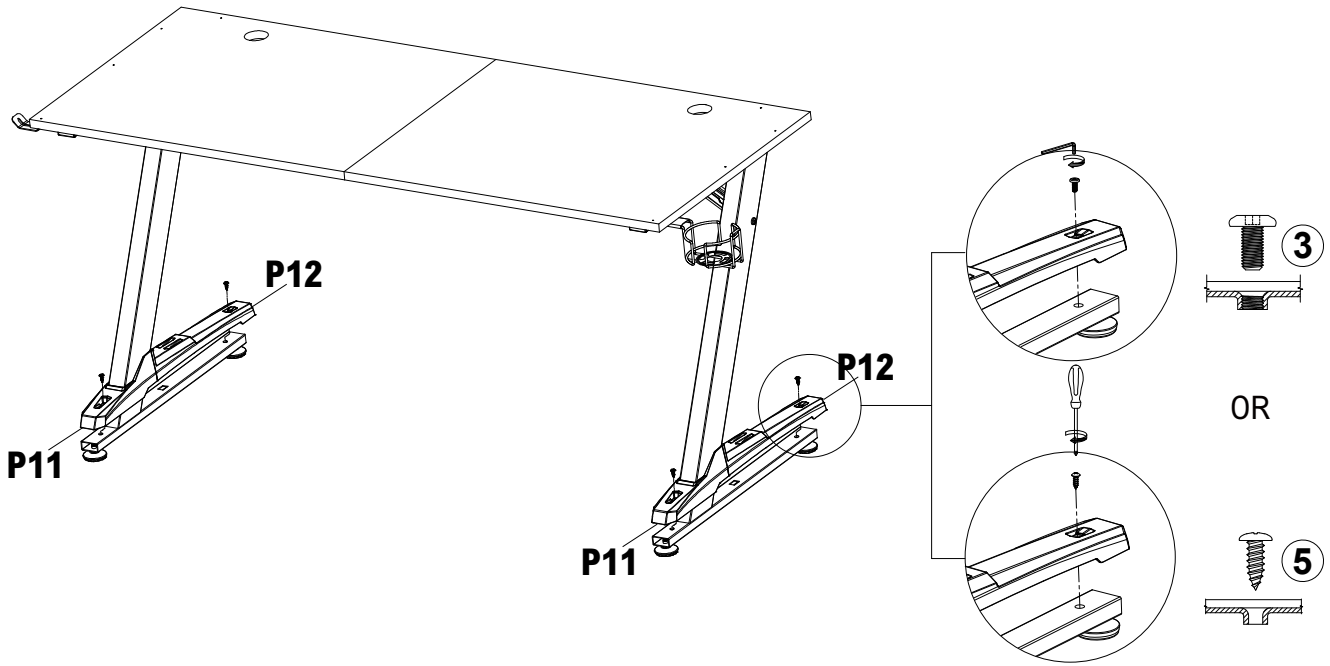
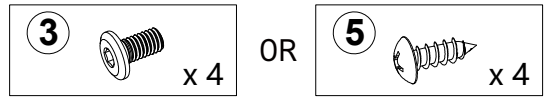
5.



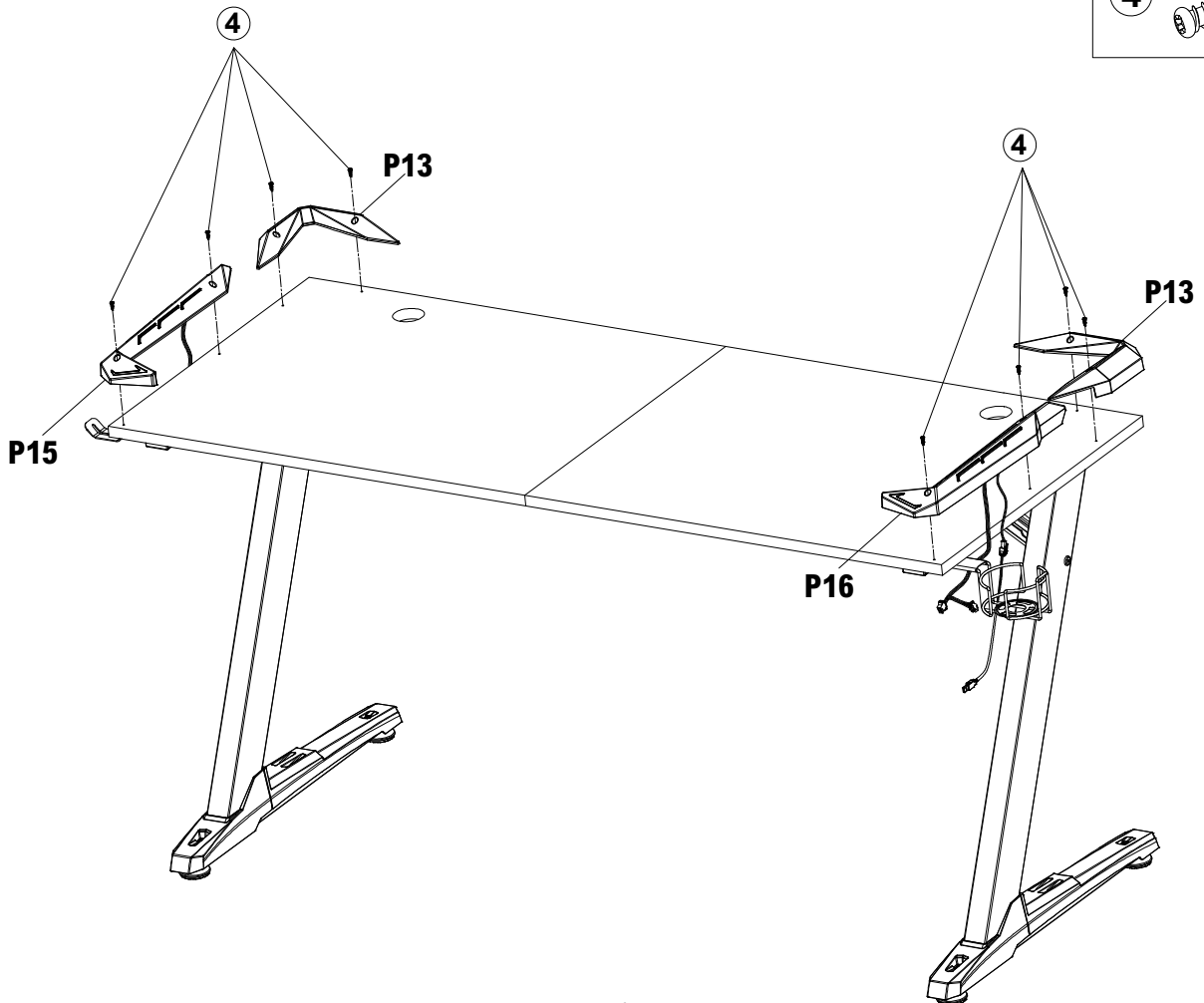
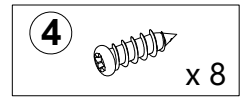
6.



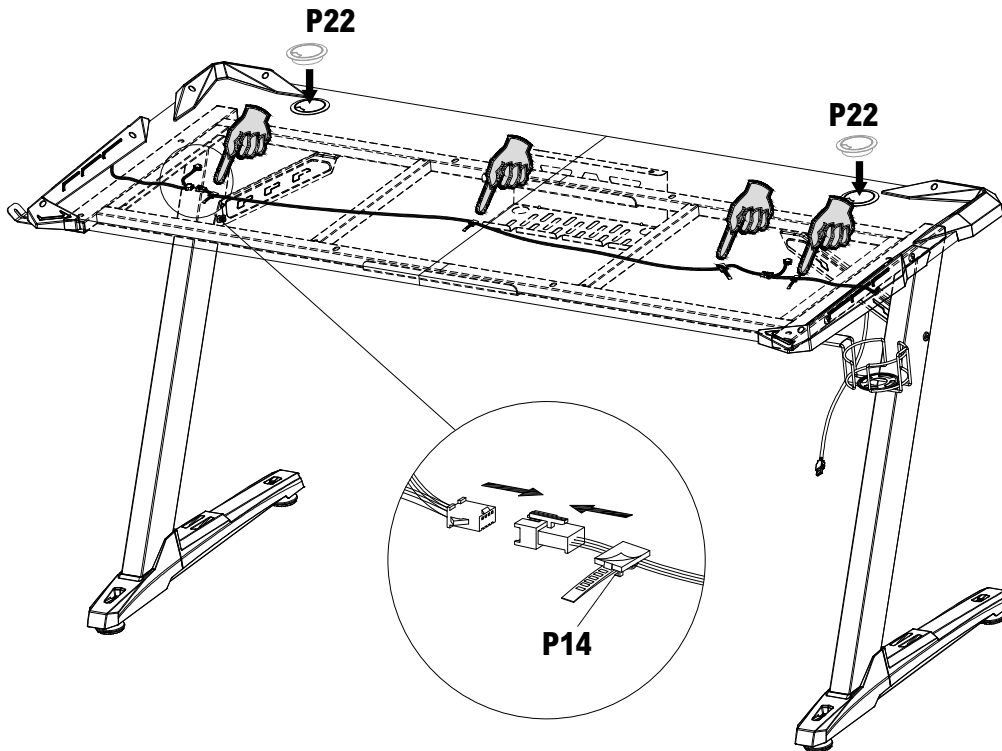
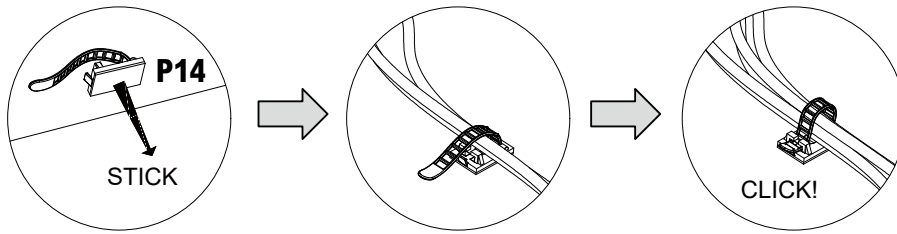
7.



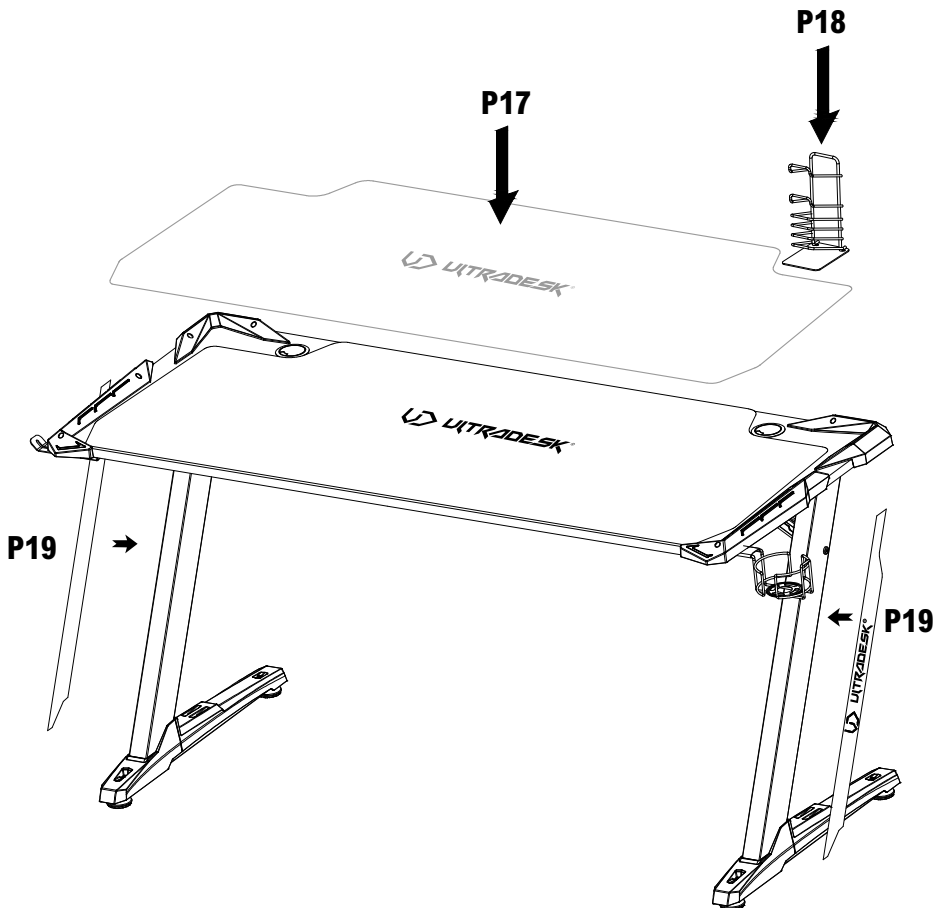
8.

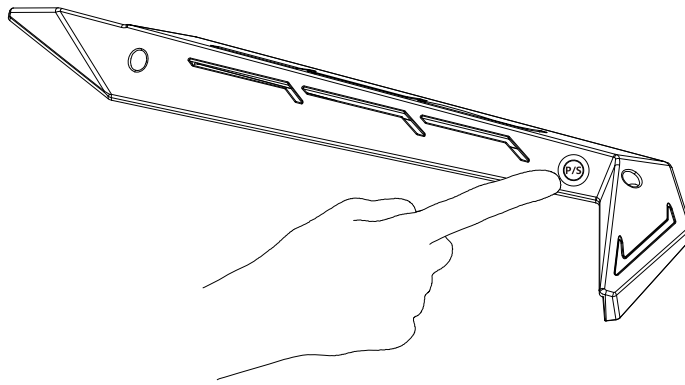


9.



10.





| MAIN TECHNICAL PARAMETERS | | | | | |
|---------------------------|------|--------|------|----------------|------|
| Parameters | Min | Normal | Max | Test Condition | Unit |
| Rated voltage(DC) | 4.45 | 5 | 5.20 | | V |
| Rated power | | 1.50 | | | W |
| Maximum power | | 1.65 | | | W |
| Maximum current | | 330 | | | mA |
| Environment temperature | -20 | | 60 | | °C |

FUNCTION

1. Changing Lighting Modes: Make sure the desk light is on, then press the right button " 95 " to change modes. There are total 8 lighting modes.
2. Switching On/Off Lights: Press the button " 95 " for 3 seconds then the light will be off. If want to switch on the light, just repeat the operation.

TROUBLE SHOOTING

1. When the light flashes unexpectedly, please try to reboot it (turn it off and then on). If a reboot doesn't work, please check if the adapter work normally.
2. If the light isn't on, please check if the power is on, or all the cables are connected correctly and tightly.