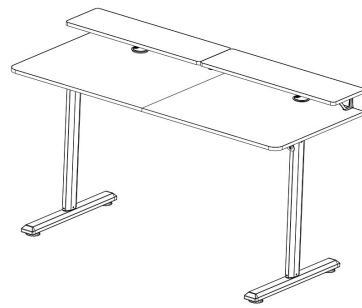
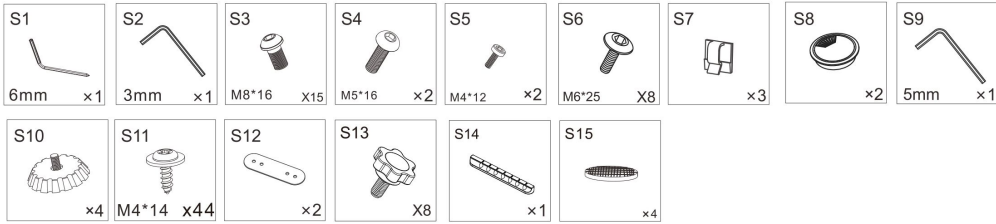


# ULTRADESK<sup>®</sup>

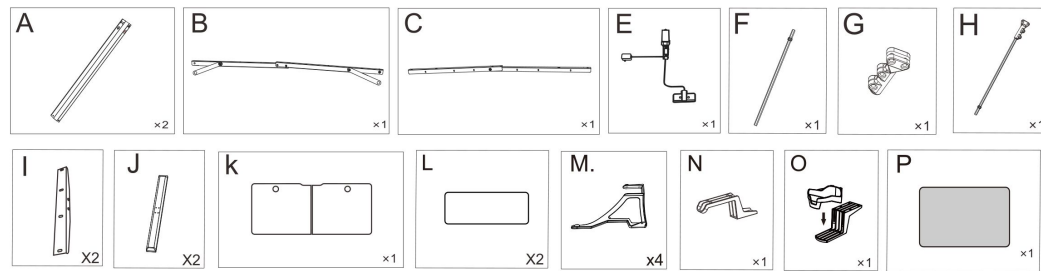
## HIGHLANDER XXL



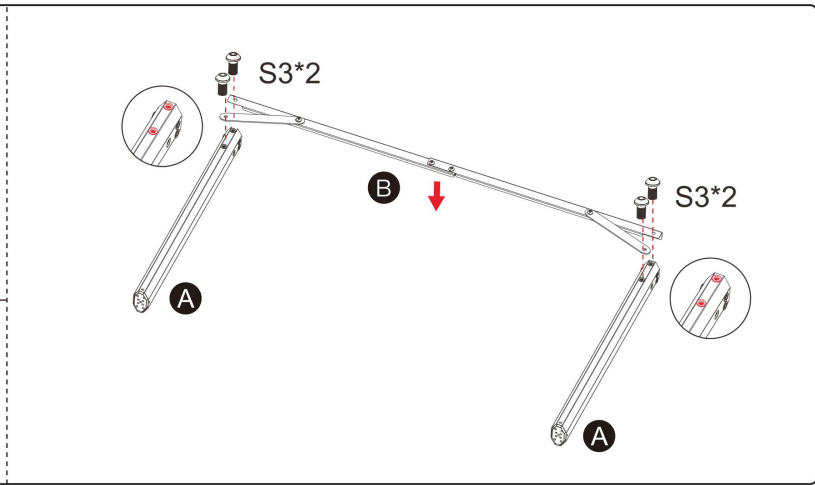
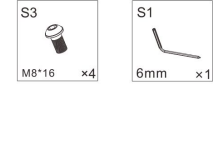
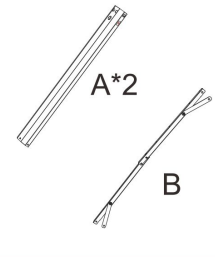
### SCREW ACCESSORIES



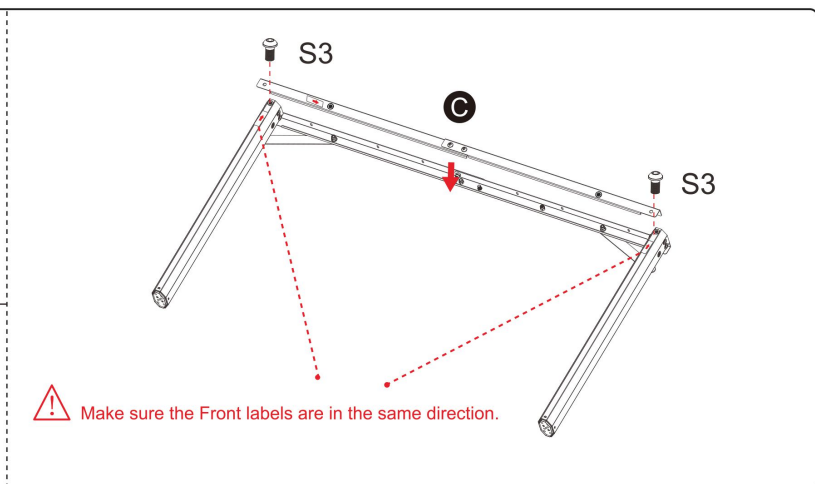
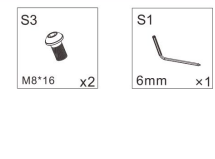
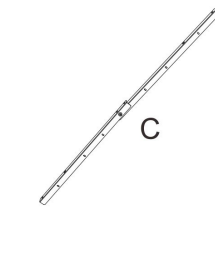
### PARTS ACCESSORIES



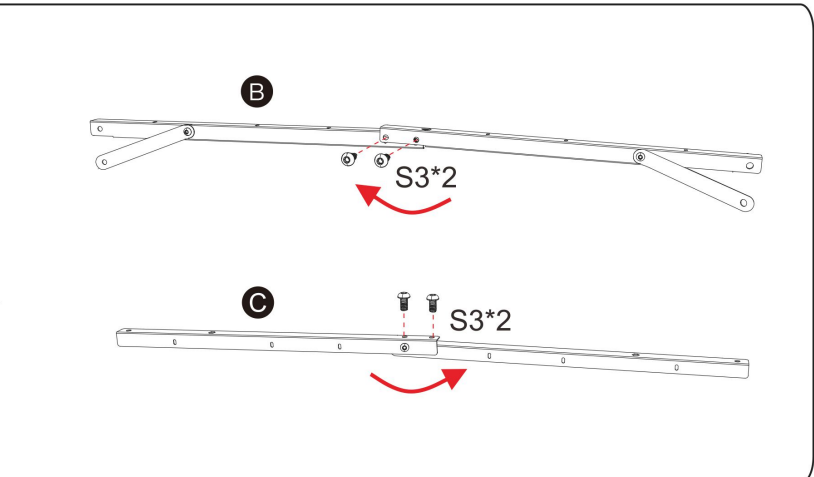
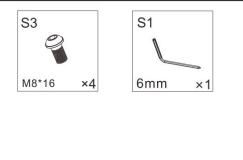
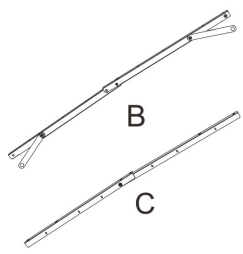
2



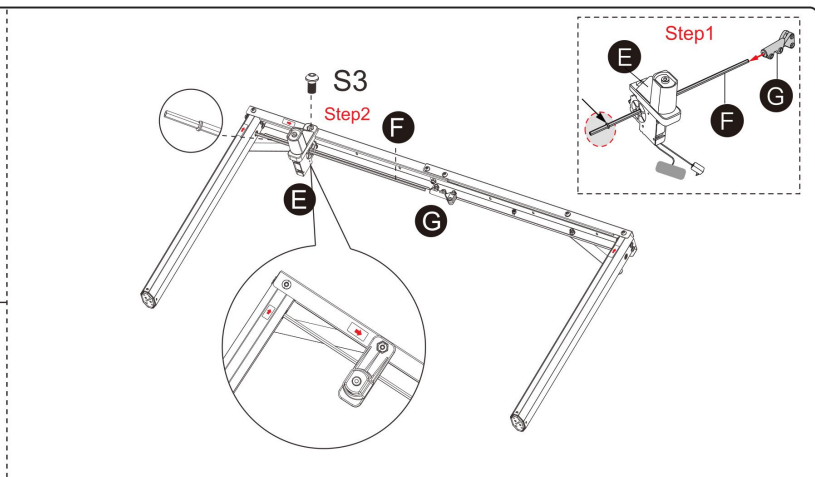
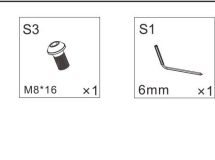
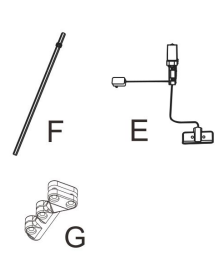
3

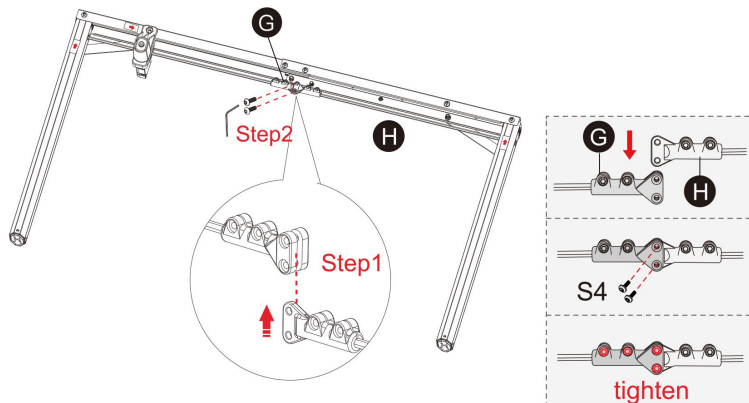
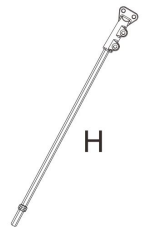
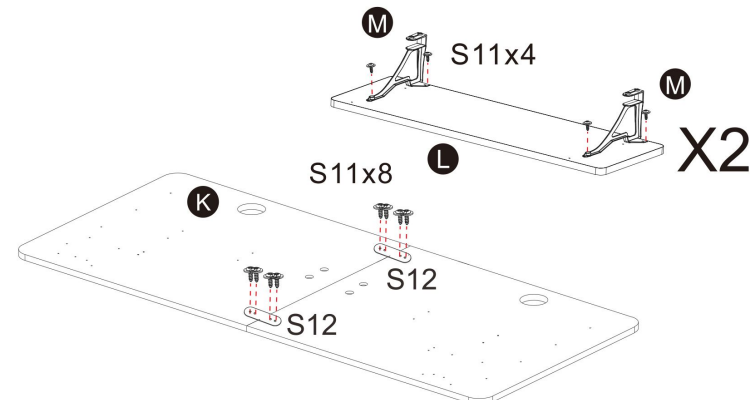
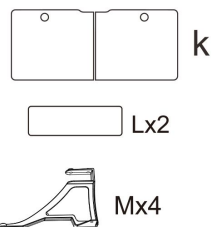


1

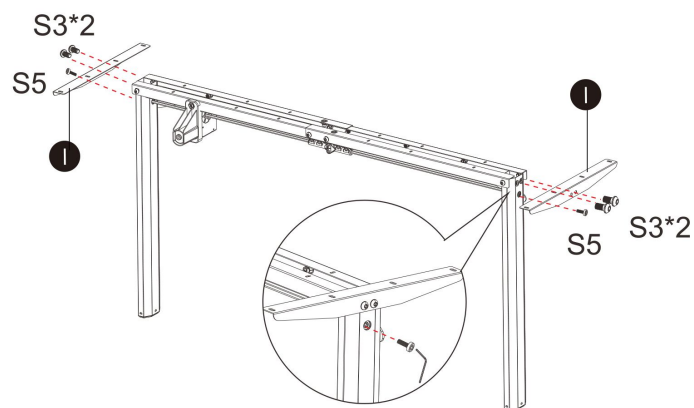
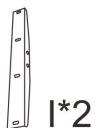
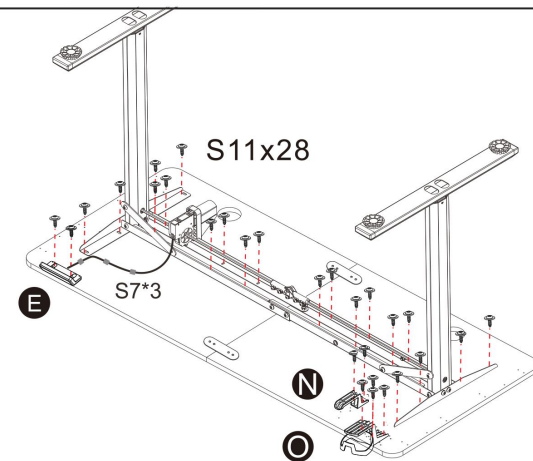
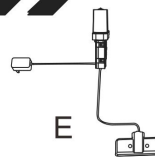
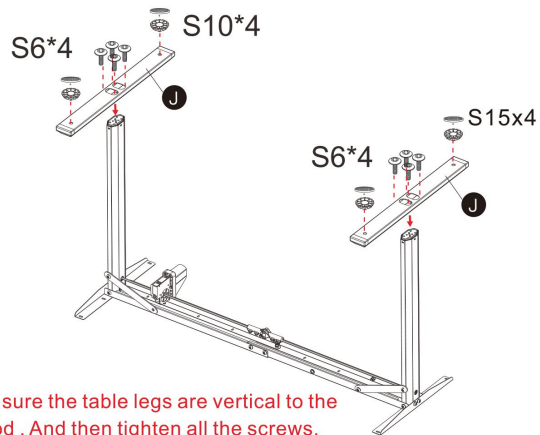
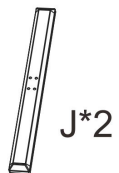


4

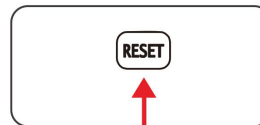
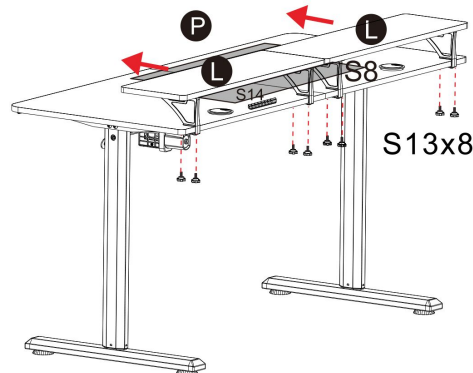


**5****8**

1. Please make sure the two boards are aligned and seamless  
2. and then tighten the screws.

**6****9****7**

Please make sure the table legs are vertical to the connecting rod. And then tighten all the screws.

**10**

After the table is installed, please press the key to start

During the reset process, the table will automatically run down to the lowest position for 5 seconds, and then the table will run up to a fixed position to stop.  
- successful installation